



Mobile Chipper 605 PT Trailer

The 605 PT is a compact, flexible and highly efficient chipper for the production of energy chips from logging slash and parts of trees.

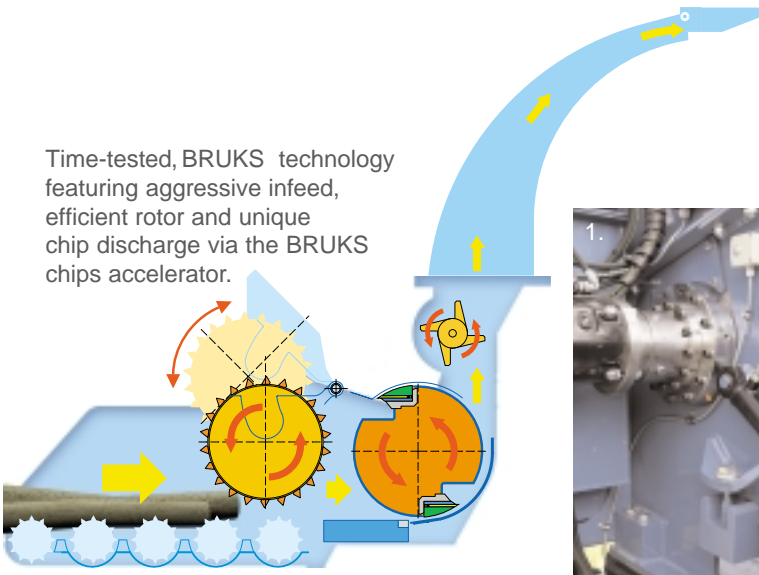
The combination of traditional BRUKS solutions and new, innovative approaches has resulted in a very smart machine. Its chip quality is ensured by full-length knives, a fully sheathed chipper drum and the unique BRUKS chips accelerator.

The complete chipping unit is installed on a trailer with a crane and intended to be towed and powered by a larger tractor.

The 605 PT is characterized by high capacity for its relatively small size, due to its all the more compact and smart design.



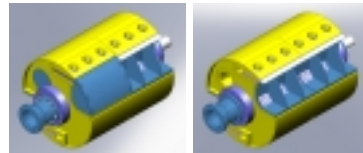
Time-tested, BRUKS technology featuring aggressive infeed, efficient rotor and unique chip discharge via the BRUKS chips accelerator.



1. CHIP LENGTH ADJUSTMENT
Easy chip length adjustment by rotating the eccentric rotor brackets.

2. ANVIL
Anvil suspended with shear bolts minimizes metal feeding impact.

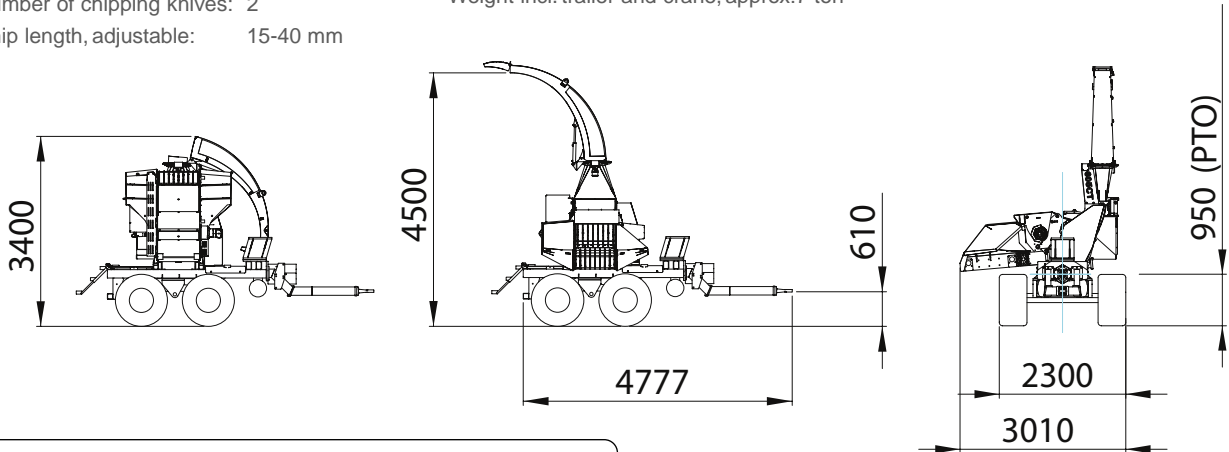
3. FEED DECKS
Aggressive, powered feed deck rollers ensure optimum infeed capacity.



CHIPPER DRUM
The rotor design facilitates set-up changes between logging slash/parts of trees and larger roundwood.

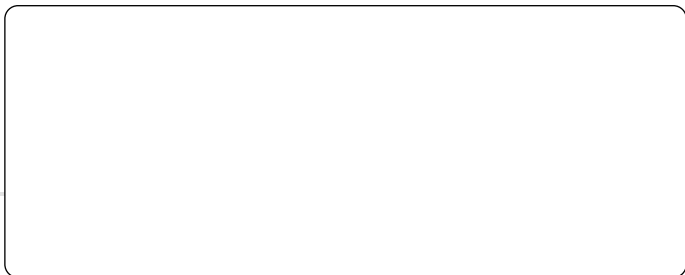
TECHNICAL DATA 605 PT TRAILER

Chipper drum diameter:	600 mm	Suitable tractor size	130 - 220kW (180 D 300 hp)
Infeed opening (w x h):	685 mm x 500 mm	Controlsystem	ExciControl
Max.log dia., softwood:	40 cm	Brakes/Speed	Pneumaticbrakes / 60 km/h (with ABS as option)
Max.log dia., hardwood:	30 cm		
Number of chipping knives:	2	Weight incl. trailer and crane, approx:	7 ton
Chip length, adjustable:	15-40 mm		



The illustrations do not necessarily show the exact design of the products at any given time. The products have to be used in conformity with common practice and all applicable safety regulations. Specifications for equipment presented here can be changed without prior notice.

The BRUKS Group:
BRUKS AB • BRUKS Rotom • BRUKS Celltec AB • BRUKS Gvc AB
BRUKS Klöckner GmbH • BRUKS Rockwood Inc • BRUKS China



BRUKS AB ☎ Box 46 ☎ SE-820 10 Arbrö, Sweden
Phone + 46 278 64 25 00 ☎ Fax + 46 278 64 25 20
info@bruks.com ☎ www.bruks.com

