

Solve the problem and save money now!

The Expander®System is a simple, cost effective solution for pivot wear. It is installed directly into the existing mounting without expensive welding or line boring. The total cost is lower than traditional repair methods regardless of the machine or manufacturer.



TRADITIONAL METHOD

Price of pin	120
Line boring	350
Installation	30
Total cost	500

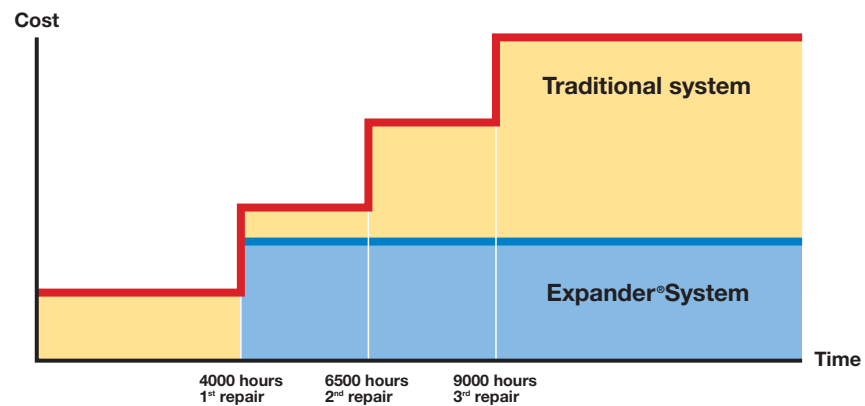


EXPANDER SYSTEM

Price of Expander	220
Line boring	0
Installation	30
Total cost	250

A guaranteed and rewarding investment.

The Expander®System pays off at the first repair. The cost for the impending repairs, normal recurring maintenance charges with traditional fastening methods, are completely eliminated by the permanent solution. With the Expander system you are making a rewarding investment; repayment is already made on installation!



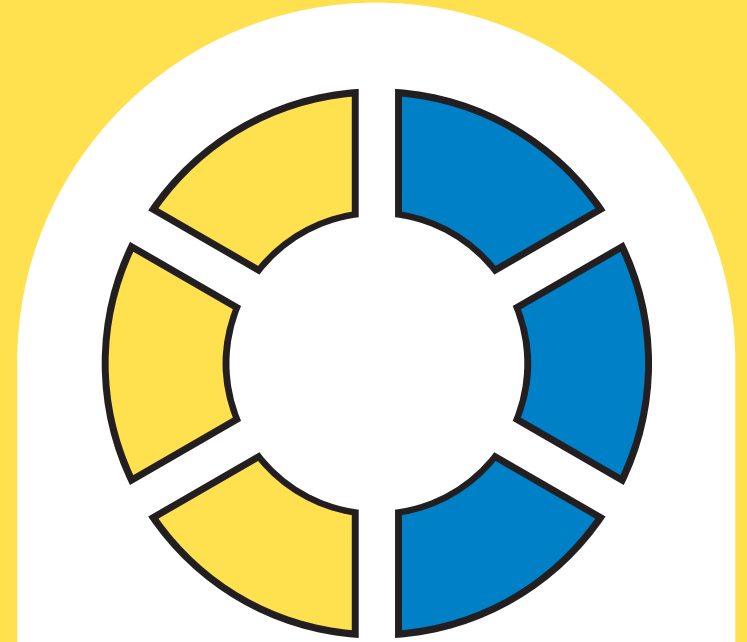
10 year function warranty on Expander®System



P.O. Box 217 SE 597 25 Åtvidaberg Sweden Tel +46 120 299 00 Fax +46 120 355 88
 info@expandersystem.com www.expandersystem.com

Expander Americas Inc. P.O. Box 4538 Sedona, AZ-86340 USA
 Phone: +1-928-203-9090 Fax: +1-928-203-4986
 info@expanderamericas.com www.expanderamericas.com

Stop pivot wear
 – once and for all!



Expander

Machinery pivots wear with time.

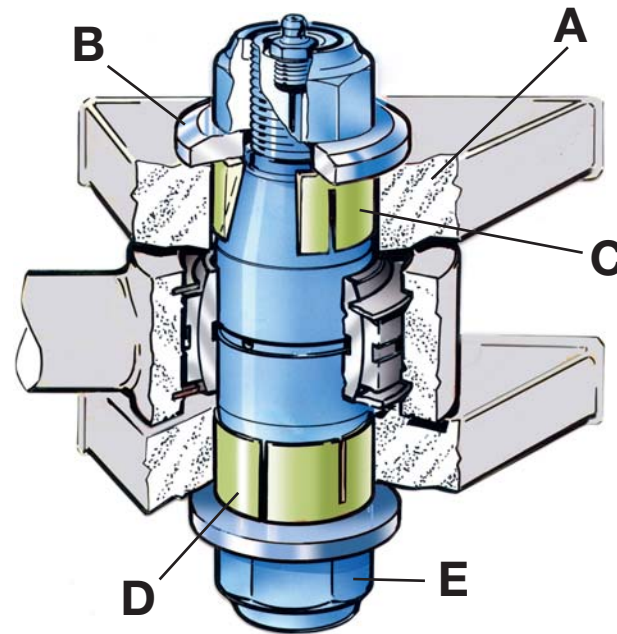


The consequences are expensive, continuously recurring repairs with welding and line boring, often in difficult conditions. Another negative effect is the unnecessary breakdown or stoppage, resulting in operational downtime and production shortfalls.

Expander®System – the permanent solution.

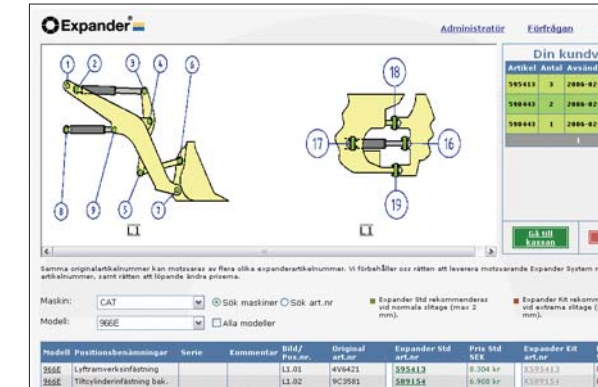
The Expander®System is a modern, cost effective solution that stops pivot wear once and for all. Equally effective and reliable in construction, forestry and mining machinery as well as in swing bridges and saw-mills. With the Expander system the repair can be carried out directly in the worn mountings without welding or line boring, a solution that is also permanent! This means that we are one of the few manufacturers in the world that give a 10 year warranty on a pivot pin, in practice a lifetime function warranty from Expander.

This is how the Expander®System works:



- A. Expander®System is installed directly into the existing mounting without expensive welding or line boring.
- B. The washer presses the sleeve onto the tapered section of the expander bolt.
- C. The sleeve expands in the worn lugholes in parallel and eliminates all play.
- D. Double sided locking gives increased safety.
- E. Easy to remove and reinstall.

Expander®System Online!



The Expander system is available in sizes and versions for all types of pivot. You can use our Expander®System Online ordering system around the clock, via the Internet, to order the Expander you need quickly and easily. Just enter the make and model of the machine and the pivot that is affected. A price, delivery time and drawing will be displayed on screen. Check the drawing and indicate whether the delivery is to a workshop or a site – and then place your order. We design, produce and deliver within a few days. We can send common, stocked dimensions the same day! All with a 10 year function warranty.

With special solutions as standard.

At Expander we have been developing permanent solutions for worn pivot lugs for nearly 30 years – more than 20,000 different applications in over a 1000 different types and models of machine. This knowledge allows us to be able to offer you a custom made solution regardless of whether your needs are beyond the standard! Describe your problem and we will find a solution in a few minutes using our specially developed 3D CAD system.



While conventional pivot pins are only locked on one side, the Expander®System locks on both sides. This gives a stronger box construction to the whole machine pivot. The sleeves expand over both ends of the tapered axle and lock securely even if the hole is worn. If the hole has been worn oval the Expander®System fills out the ovality and gives a secure solution without any preparatory machining.

10 year function warranty on Expander®System.

